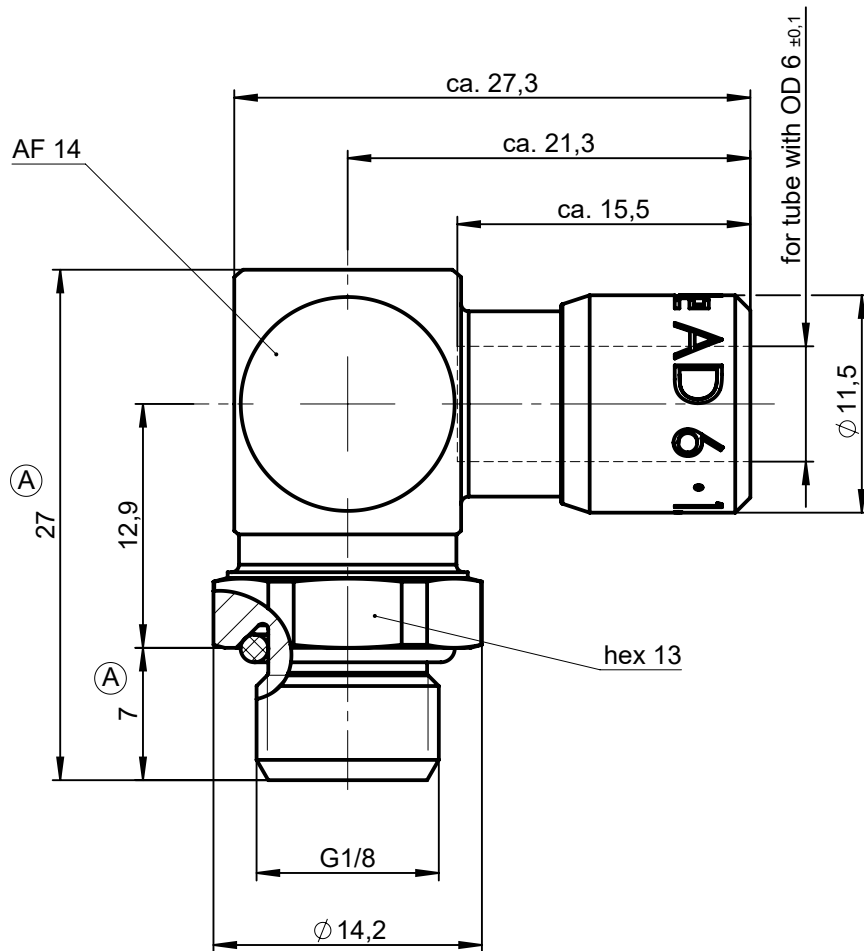
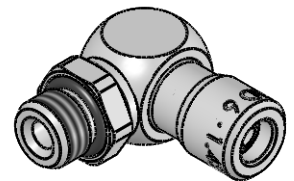


All rights to these drawings belong exclusively to the company Eisele Pneumatics GmbH & Co. KG. The reproduction and / or dissemination and other abuse without our prior, explicit consent are inadmissible. Those who do not follow these directions are obliged to pay damages and are punishable by law.



ND 4



1 : 1

Material: 1.4301 (304) stainless steel
Seals: FKM

Status: FREIGABE EINFACH		Standard Tolerances DIN ISO 2768-mH-E		<h1>Dimension Sheet</h1>	Weight ca. 29 g
Revision (Index):		Drawn	Date		Name
<h1>A</h1>		Appr.	20.03.13	Mü	<h1>2.5:1</h1>
		Client	21.03.13	Co	
				Part-No.	986-0204
				Drawing-No.	986-0204-00
Date	modified	verified	<h1>Eisele</h1>		
23.09.13	PP	Mü			
		in exchange for Date		replaced with Date	Blatt 2 von 2
		Revision		Revision	