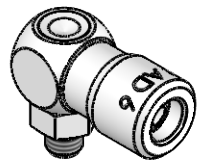
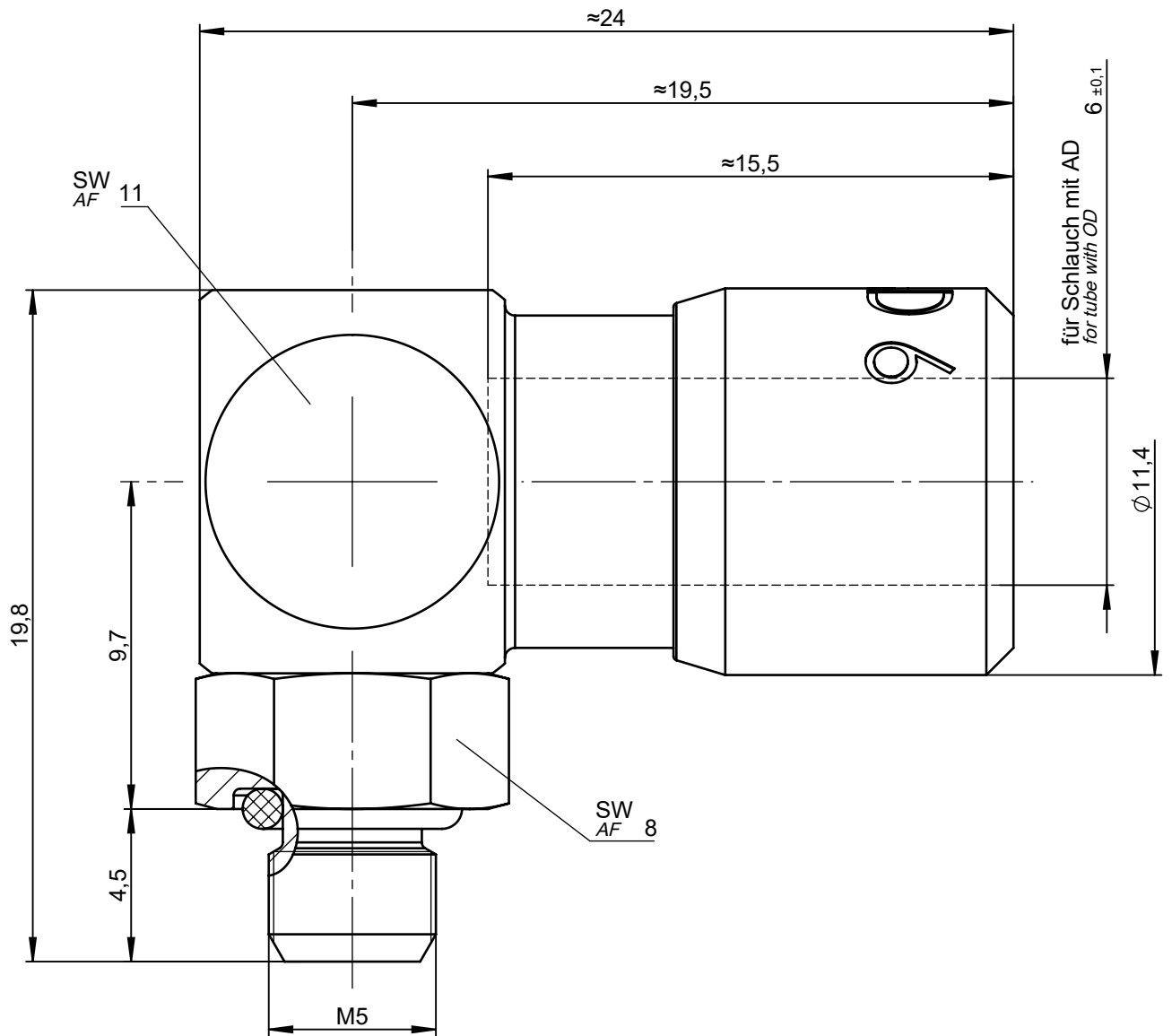


All rights to these drawings belong exclusively to the company Eisele Pneumatics GmbH & Co. KG. The reproduction and / or dissemination and other abuse without our prior, explicit consent are inadmissible. Those who do not follow these directions are obliged to pay damages and are punishable by law.



1:1

Werkstoff: Ms vernickelt / Ms blank
Material: Nickel-plated brass / brass

Dichtungen: NBR
Seals: NBR

NW
ND

2

Dokumentenart Document type		Maßblatt Dimension Sheet		Maße Dimensions	mm [in]	ISO E 	Benennung Title	Winkel-Einschraubanschluss schwenkbar elbow screw-in connector swiveling		Gewicht ca. Weight approx.
Status	FREIGABE EINFACH		Datum Date	28.09.17		Name	Mü		24 g	
Revision (Index)	0		Erstellt Drawn	28.09.17		Mü	Oe		Maßstab Scale	
			Freig. Approved	10.10.17		Oe	Artikel-Nr. Part-No.	687-5004		5:1
Datum Date	Geändert Modified	Geprüft Checked	Eisele			Zeichng.-Nr. Drawing-No.	687-5004-00		Sprache de / Language en	
Ersatz für Replacement for		687 00/00 Rev. 0 / 04.09.90		Ersetzt durch Replaced by		Rev. /		Blatt Page	1 / 1	